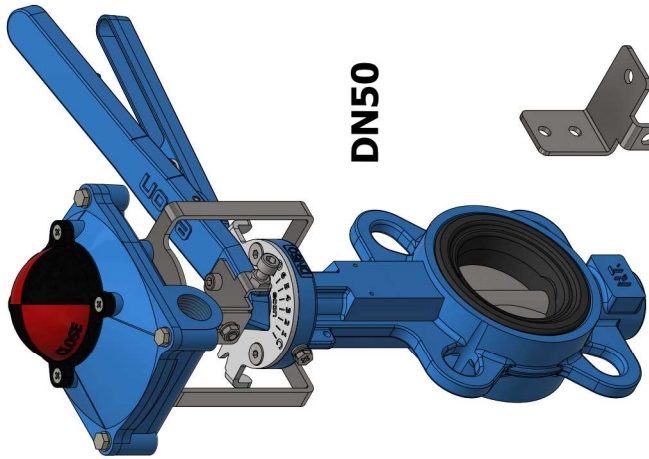
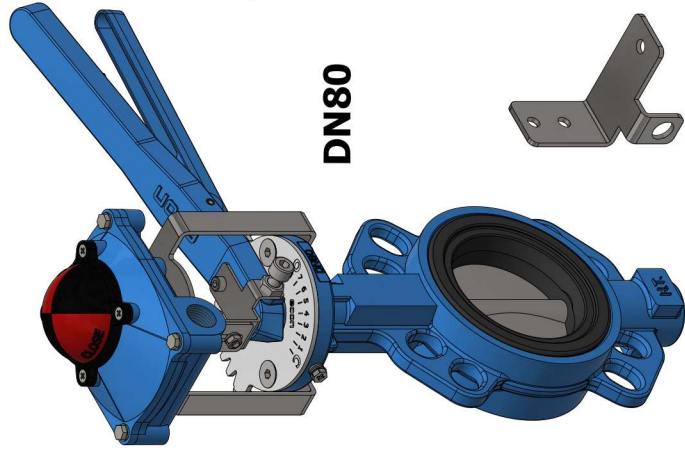


**MOUNTING KIT SWITCH BOX
FOR ECON BUTTERFLY
VALVE SERIES 63 AND 64**



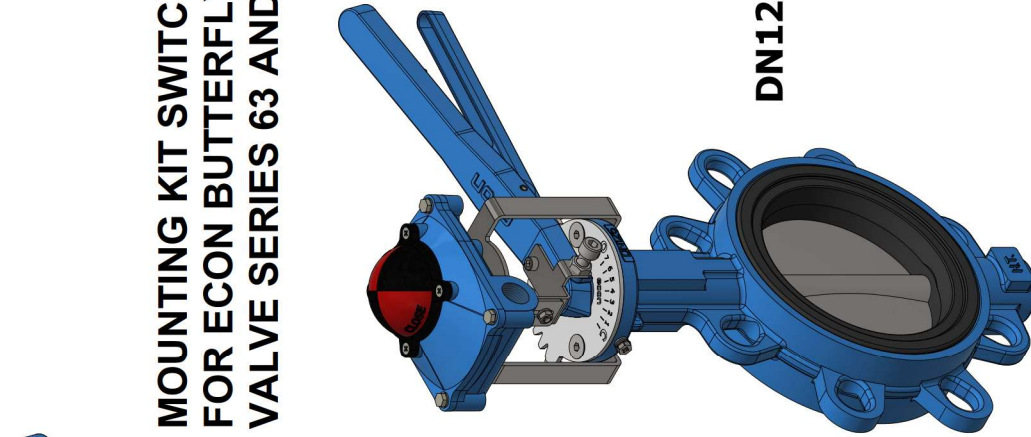
DN50

**Beugel F05
Eriks art. 13412419**



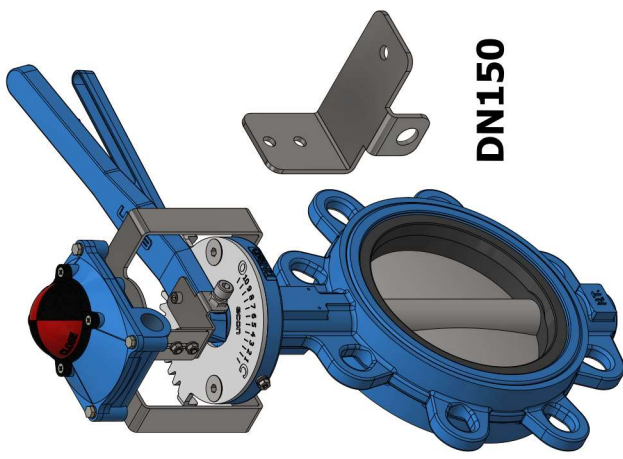
DN80

**Beugel F07
Eriks art. 13412422**

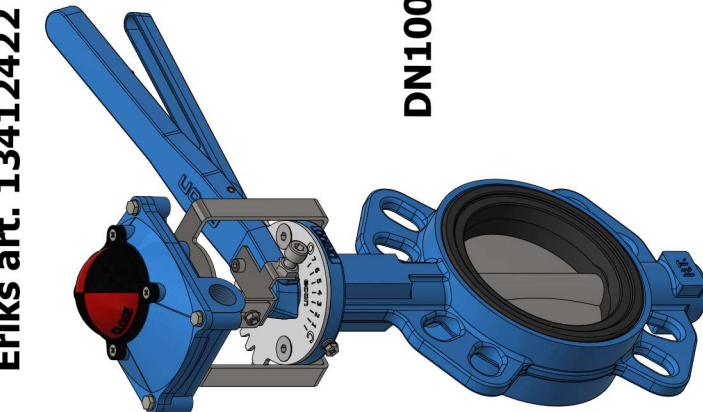


DN125

**Beugel F10
Eriks art. 13412433**

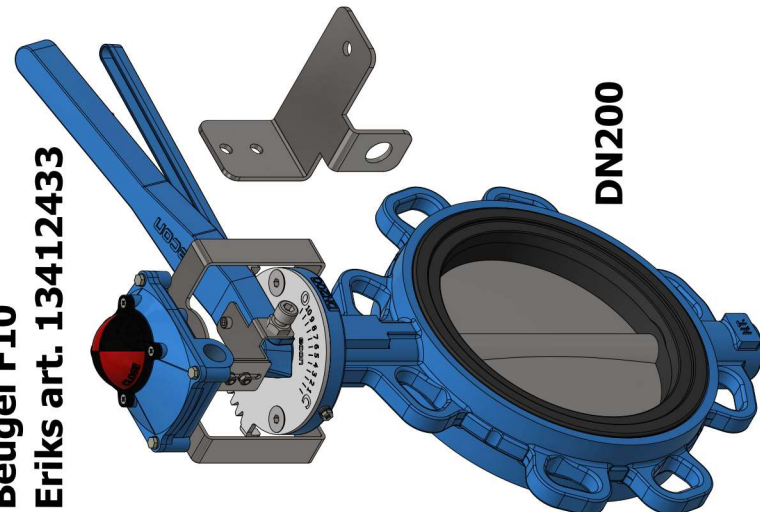


DN150



DN100

**Beugel F10
Eriks art. 13412433**



DN200

**ALL THESE COMBINATIONS
ARE POSSIBLE!**



FIG. 79651

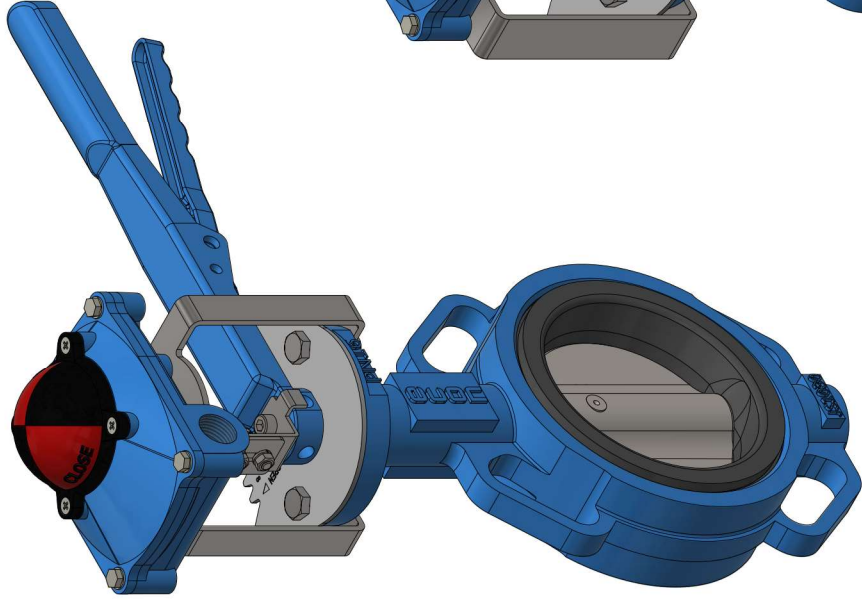
FIG. 79652



FIG. 79653

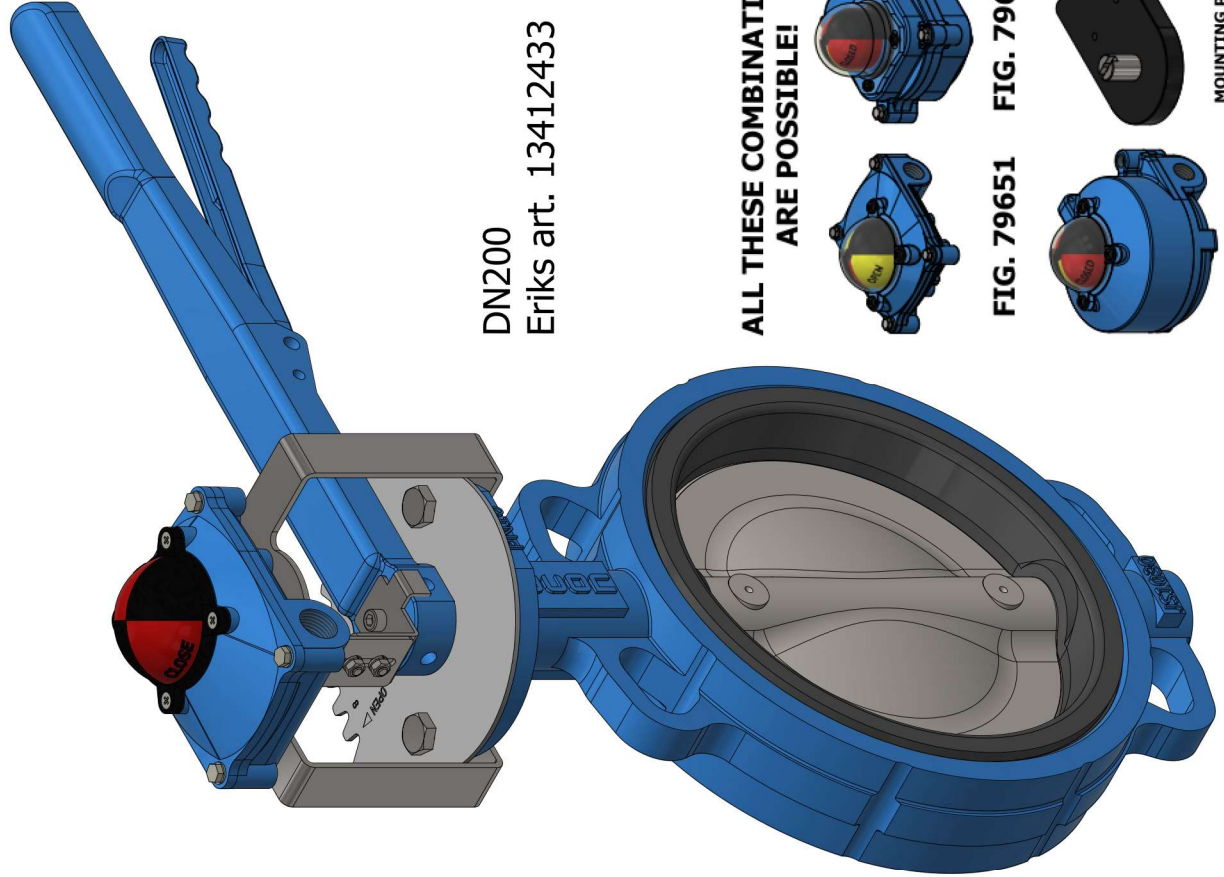
**MOUNTING PLATE
FOR INDUCTIVE SENSOR
FIG. 7964**

**MOUNTING KIT SWITCH BOX
FOR ECON BUTTERFLY
VALVE SERIES 67 AND 68**

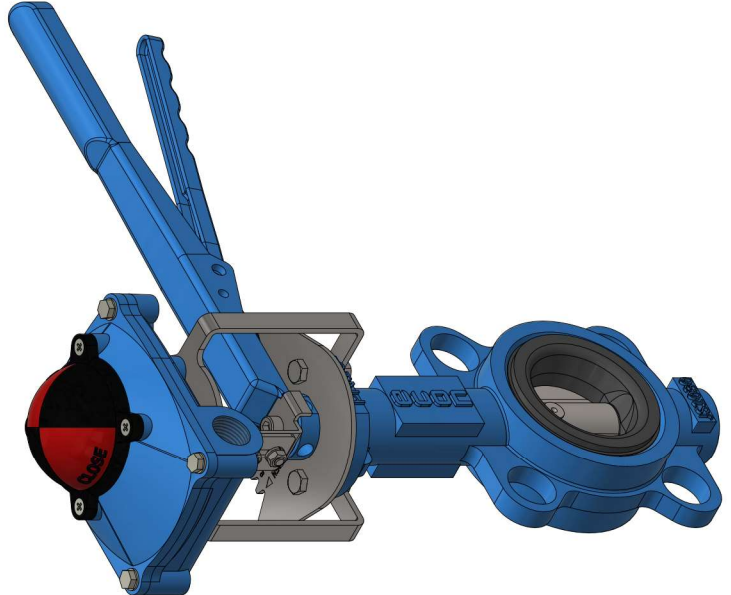


DN25 t/m DN80
Eriks art. 13412419

DN200
Eriks art. 13412433



DN100 t/m DN150
Eriks art. 13412422



**ALL THESE COMBINATIONS
ARE POSSIBLE!**



FIG. 79651



FIG. 79652



FIG. 79653



**MOUNTING PLATE
FOR INDUCTIVE SENSOR
FIG. 7964**